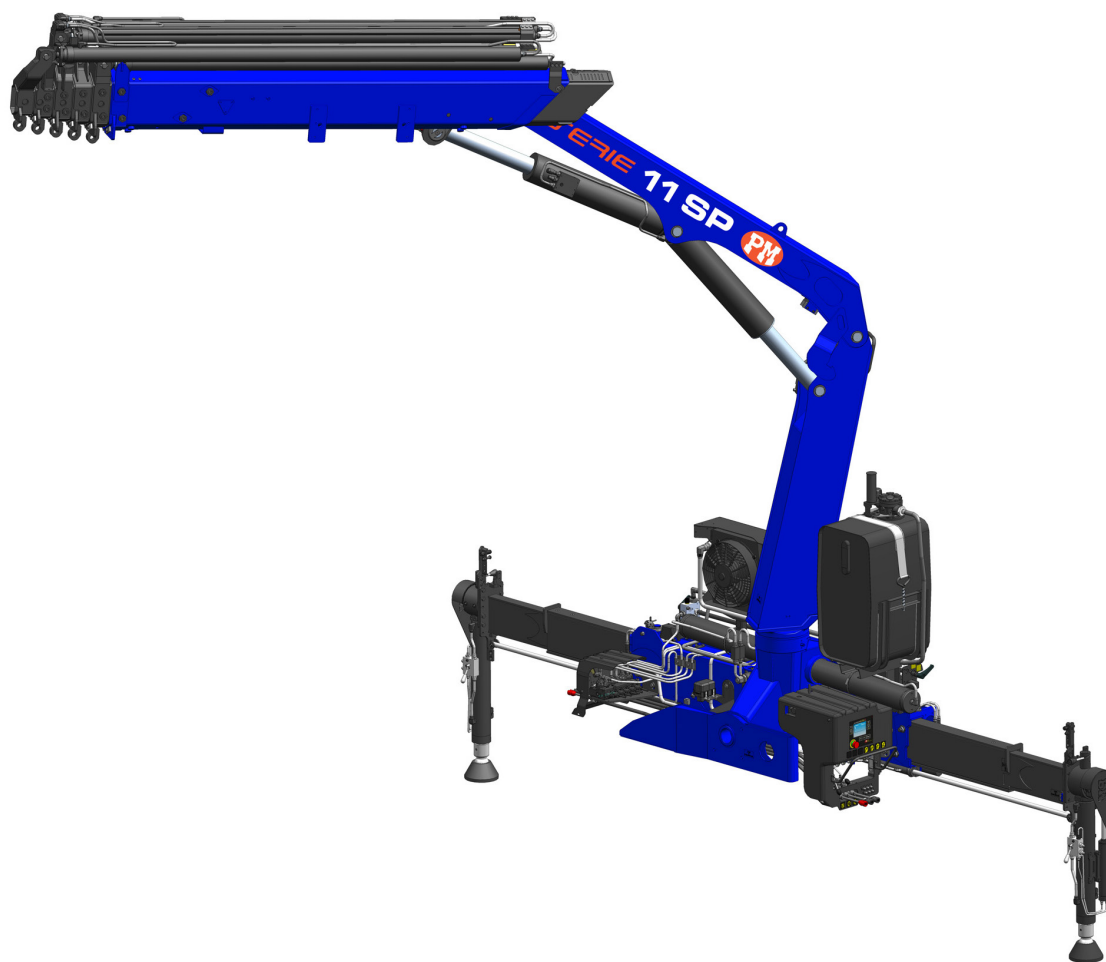


PM 11 SP



PM Oil&Steel SpA

IT - 41018 S. Cesario Sul Panaro MO

Via G. Verdi, 22

tel. +39 059 936811 • fax +39 059 936804

info@pm-group.eu • www.pm-group.eu

PM is a brand of Manitex International



truck mounted cranes

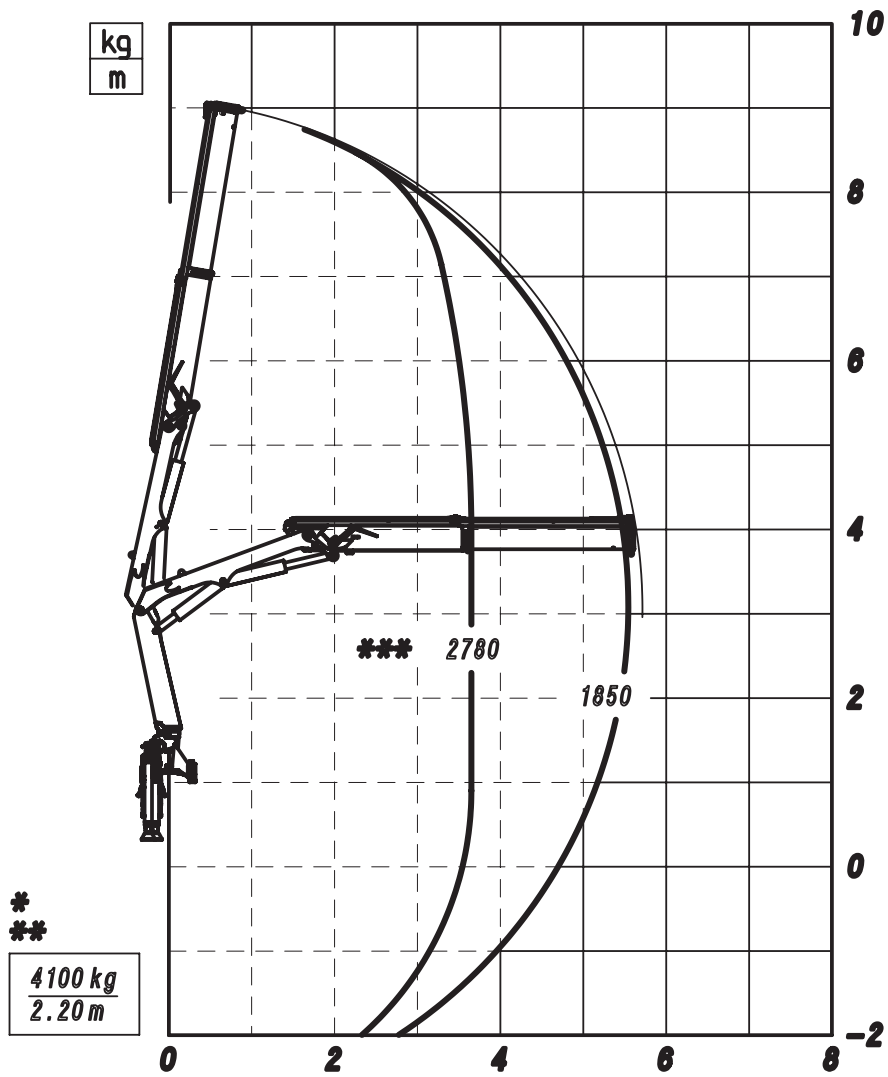


S STANDARD EQUIPMENT

Slewing by rack & pinion	Regeneration system on extension
Digital load sensing valve block	Safety valves
Standard outriggers	High pressure filter
Fixed outriggers	Power tronic smart / adv +
Independent stabilizers valve block	Oil cooler with digital inverter & bypass
Single power link on secondary boom	Remote control with b&w display

O PTIONAL

Color display on remote control	Tilting stabilizers 45° (manual) or 180° (hydraulic)
PM live work remote support	1.2 ton winch single /double pulley
MCS (remote control on stabilizers)	Extra functions with hose reels or hose racks
"C" boom version	Led worklamp
Fly jib j312/313	Integrated or loose oil tank (steel)
XL stabilizers 5010 mm XXL 5600 mm	Stability power system 3-4-5



MAXIMUM LIFTING MOMENT

tm 10,3

HYDRAULIC OUTREACH

HORIZONTAL

m 5,70

VERTICAL

m 8,90

HYDRAULIC SYSTEM

MAX OIL FLOW

l/min 40 ÷ 50

MAX PRESSURE

Mpa 36,5

OIL TANK CAPACITY

l 80

SLEWING SYSTEM

SLEWING ANGLE

400°

SLEWING MOMENT

kNm 12

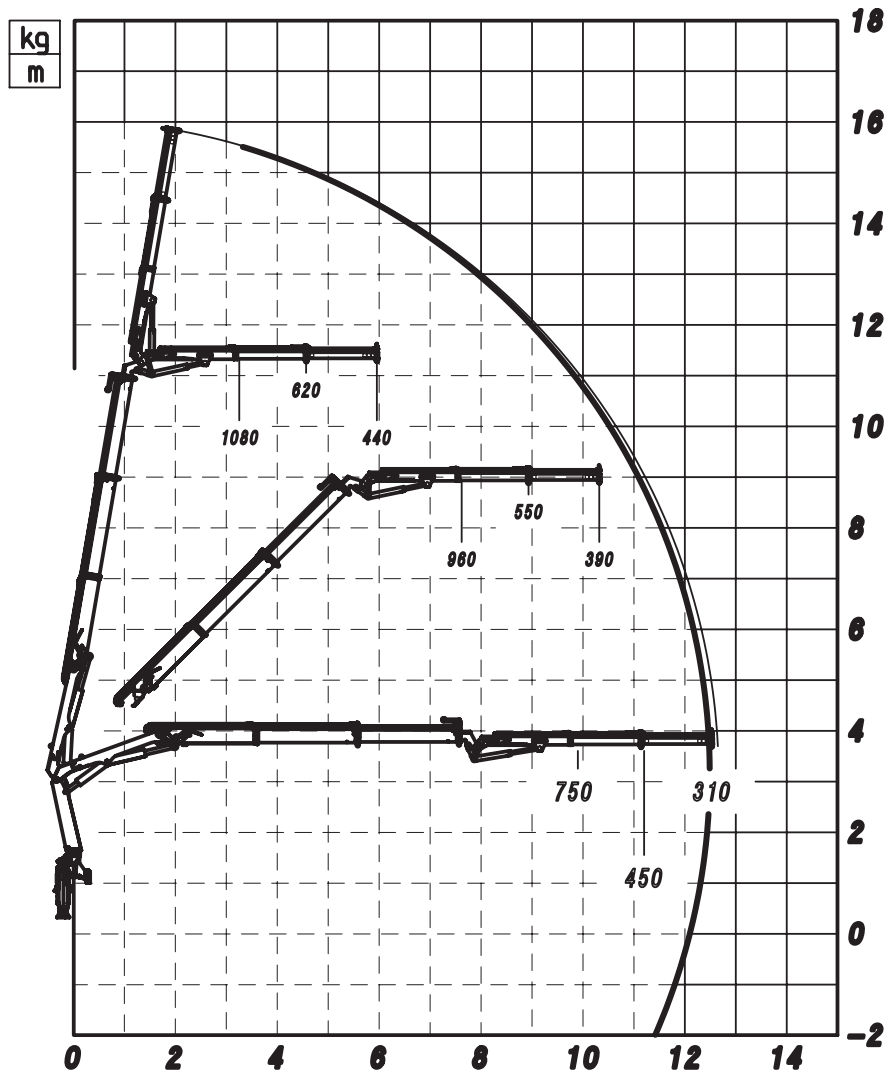
MAX WORKING HEEL

%(°) 8,7(5)

STANDARD CRANE WEIGHT

EMPTY OIL TANK

kg 1065



MAXIMUM LIFTING MOMENT

HYDRAULIC OUTREACH

HORIZONTAL	m 12,65
VERTICAL	m 15,60

HYDRAULIC SYSTEM

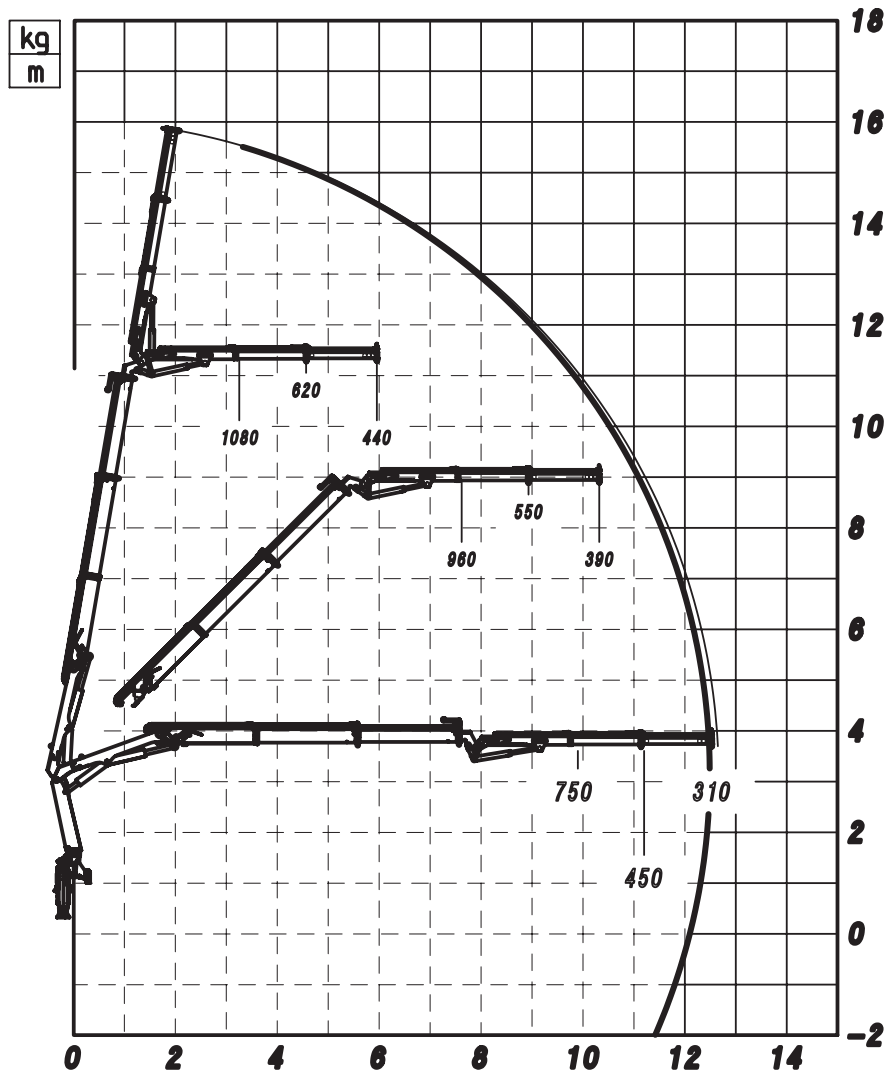
MAX OIL FLOW	l/min 40 ÷ 50
MAX PRESSURE	Mpa 36,5
OIL TANK CAPACITY	l 80

SLEWING SYSTEM

SLEWING ANGLE	400°
SLEWING MOMENT	kNm 12
MAX WORKING HEEL	%(°) 0(0)

STANDARD CRANE WEIGHT

EMPTY OIL TANK	kg 1495
----------------	---------



MAXIMUM LIFTING MOMENT

HYDRAULIC OUTREACH

HORIZONTAL	m 13,90
VERTICAL	m 16,90

HYDRAULIC SYSTEM

MAX OIL FLOW	l/min 40 ÷ 50
MAX PRESSURE	Mpa 36,5
OIL TANK CAPACITY	l 80

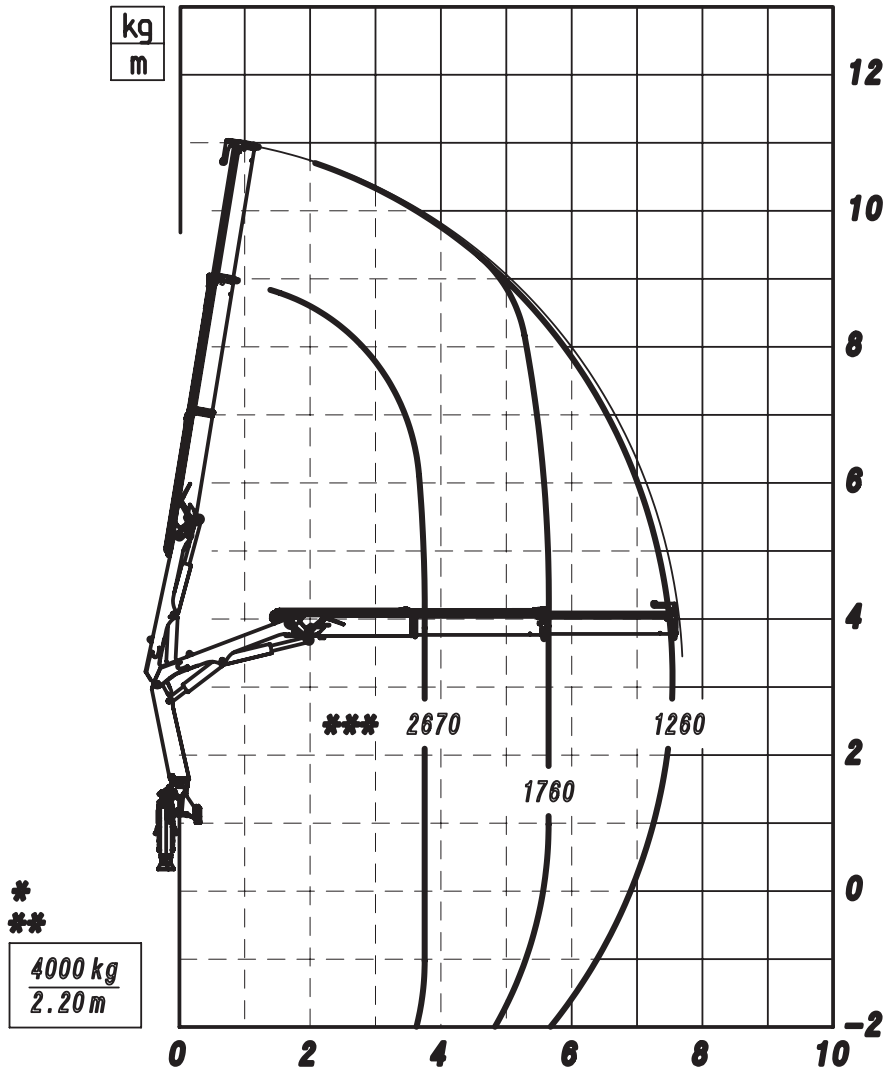
SLEWING SYSTEM

SLEWING ANGLE	400°
SLEWING MOMENT	kNm 12
MAX WORKING HEEL	%(°) 0(0)

STANDARD CRANE WEIGHT

EMPTY OIL TANK	kg 1520
----------------	---------

PM 11022 SP



MAXIMUM LIFTING MOMENT

tm 10

HYDRAULIC OUTREACH

HORIZONTAL

m 7,70

VERTICAL

m 10,80

HYDRAULIC SYSTEM

MAX OIL FLOW

l/min 40 ÷ 50

MAX PRESSURE

Mpa 36,5

OIL TANK CAPACITY

l 80

SLEWING SYSTEM

SLEWING ANGLE

400°

SLEWING MOMENT

kNm 12

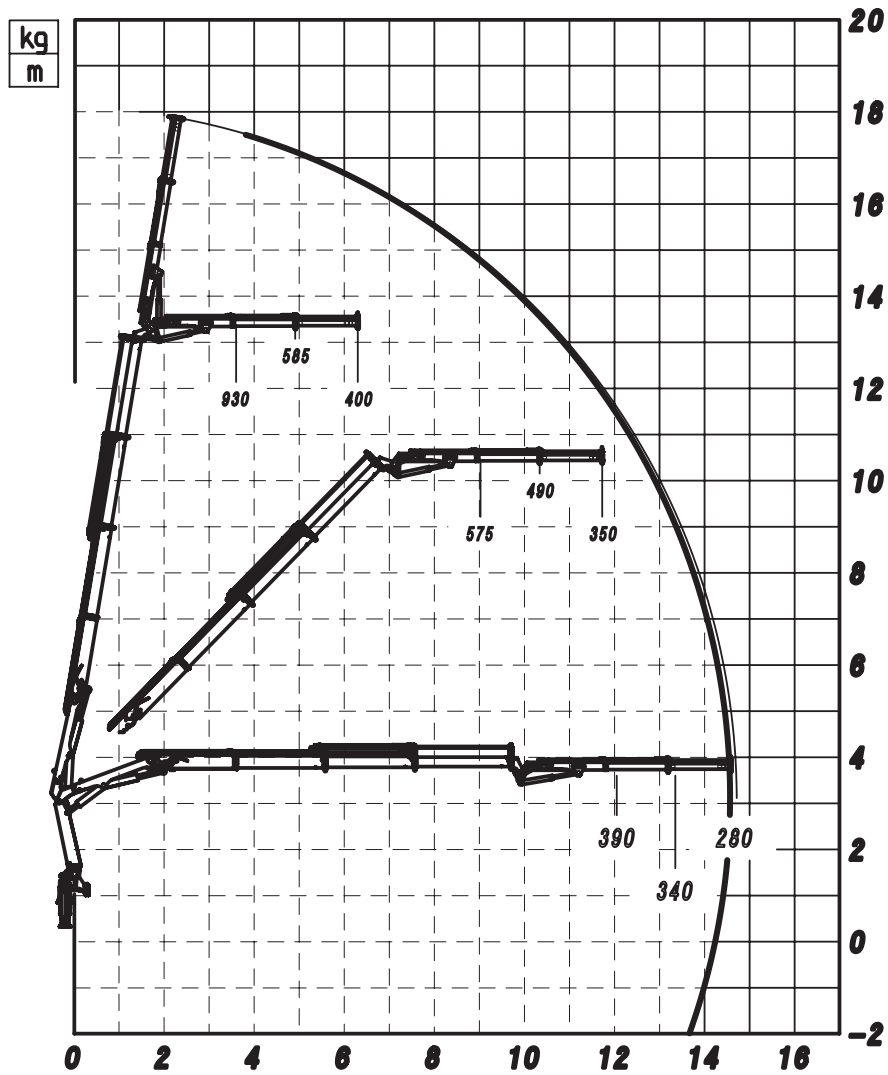
MAX WORKING HEEL

%(°) 8,7(5)

STANDARD CRANE WEIGHT

EMPTY OIL TANK

kg 1185



MAXIMUM LIFTING MOMENT

HYDRAULIC OUTREACH

HORIZONTAL	m 14,70
VERTICAL	m 17,55

HYDRAULIC SYSTEM

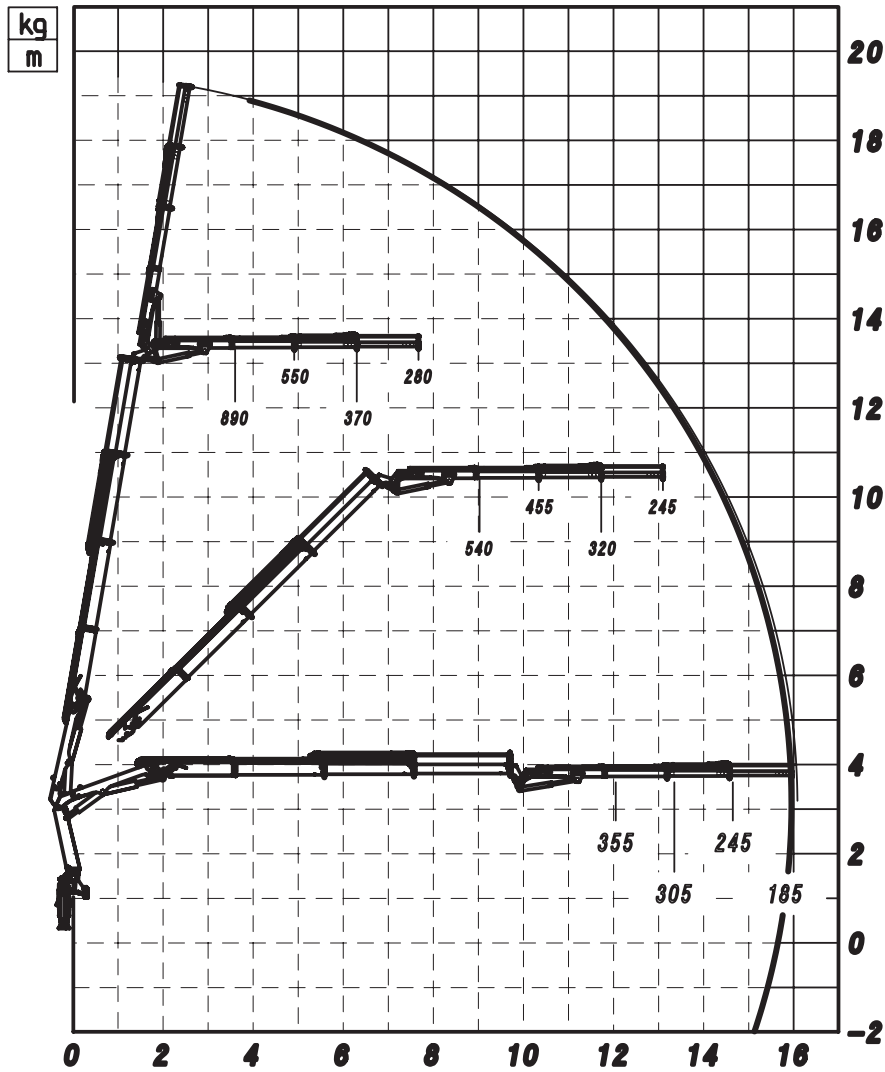
MAX OIL FLOW	l/min 40 ÷ 50
MAX PRESSURE	Mpa 36,5
OIL TANK CAPACITY	l 80

SLEWING SYSTEM

SLEWING ANGLE	400°
SLEWING MOMENT	kNm 12
MAX WORKING HEEL	%(°) 0(0)

STANDARD CRANE WEIGHT

EMPTY OIL TANK	kg 1620
----------------	---------



MAXIMUM LIFTING MOMENT

HYDRAULIC OUTREACH

HORIZONTAL	m 16,05
VERTICAL	m 18,90

HYDRAULIC SYSTEM

MAX OIL FLOW	l/min 40 ÷ 50
MAX PRESSURE	Mpa 36,5
OIL TANK CAPACITY	l 80

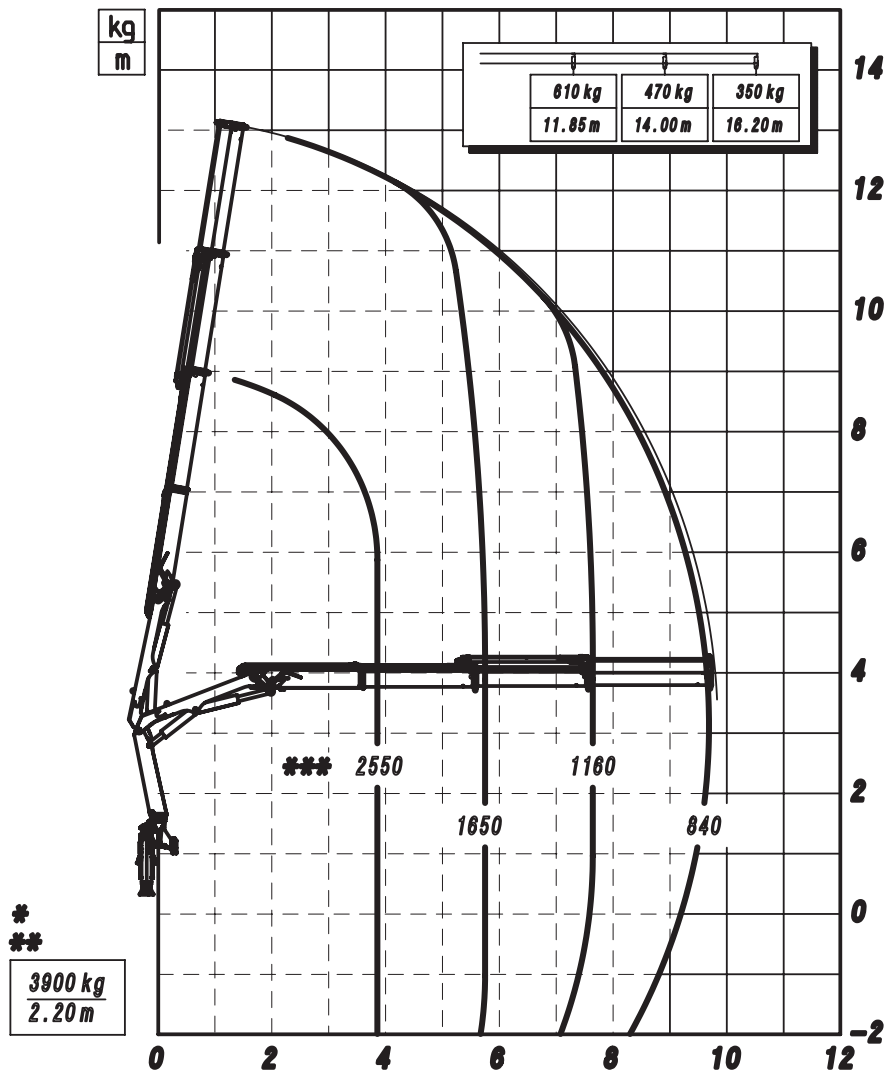
SLEWING SYSTEM

SLEWING ANGLE	400°
SLEWING MOMENT	kNm 12
MAX WORKING HEEL	%(°) 0(0)

STANDARD CRANE WEIGHT

EMPTY OIL TANK	kg 1645
----------------	---------

PM 11023 SP



MAXIMUM LIFTING MOMENT

tm 9,8

HYDRAULIC OUTREACH

HORIZONTAL

m 9,80

VERTICAL

m 12,90

HYDRAULIC SYSTEM

MAX OIL FLOW

l/min 40 ÷ 50

MAX PRESSURE

Mpa 36,5

OIL TANK CAPACITY

l 80

SLEWING SYSTEM

SLEWING ANGLE

400°

SLEWING MOMENT

kNm 12

MAX WORKING HEEL

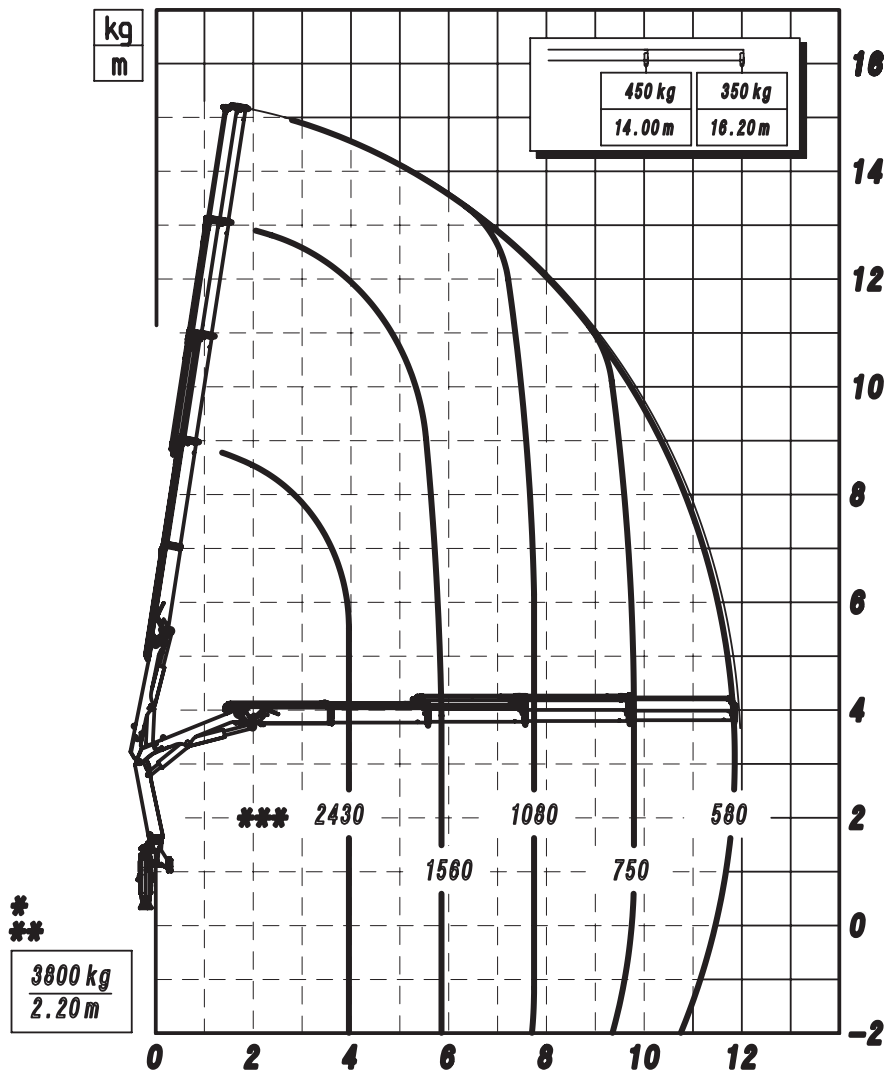
%(°) 8,7(5)

STANDARD CRANE WEIGHT

EMPTY OIL TANK

kg 1295

PM 11024 SP



MAXIMUM LIFTING MOMENT

tm 9,6

HYDRAULIC OUTREACH

HORIZONTAL

m 11,95

VERTICAL

m 15,00

HYDRAULIC SYSTEM

MAX OIL FLOW

l/min 40 ÷ 50

MAX PRESSURE

Mpa 36,5

OIL TANK CAPACITY

l 80

SLEWING SYSTEM

SLEWING ANGLE

400°

SLEWING MOMENT

kNm 12

MAX WORKING HEEL

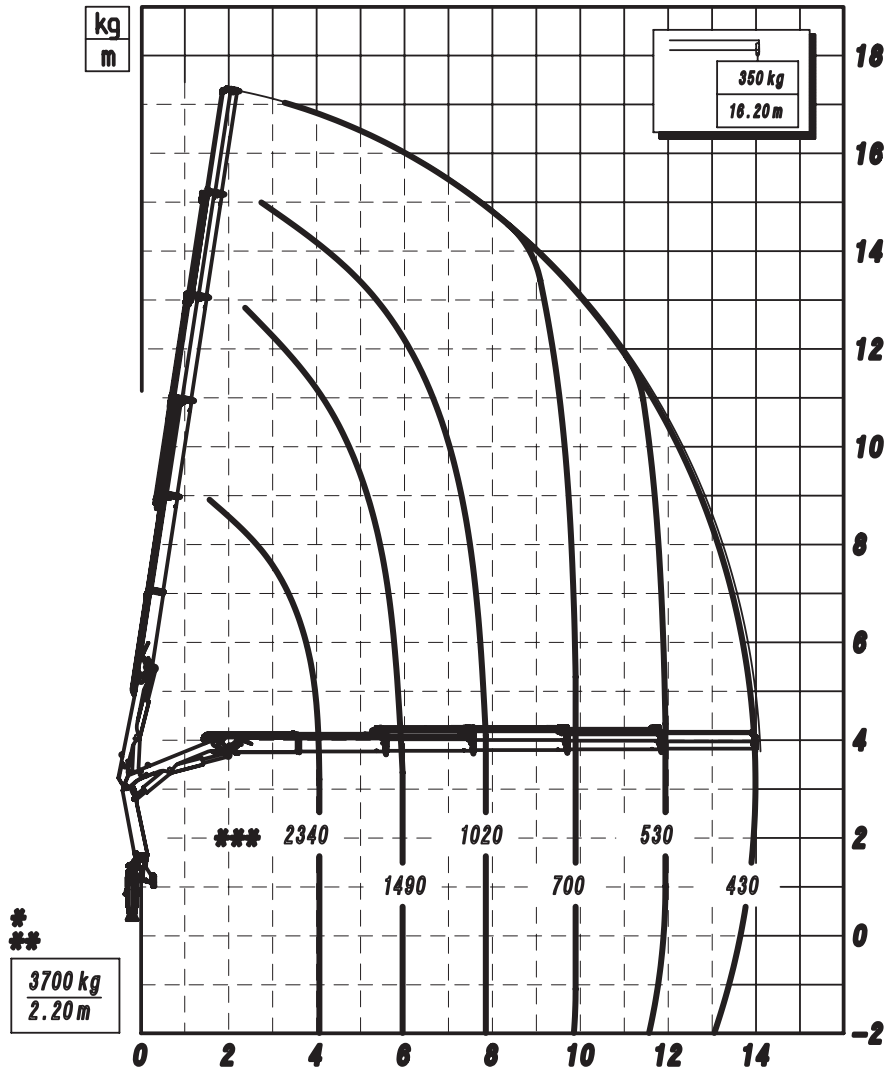
%(°) 8,7(5)

STANDARD CRANE WEIGHT

EMPTY OIL TANK

kg 1395

PM 11025 SP



MAXIMUM LIFTING MOMENT

tm 9,5

HYDRAULIC OUTREACH

HORIZONTAL

m 14,10

VERTICAL

m 17,10

HYDRAULIC SYSTEM

MAX OIL FLOW

l/min 40 ÷ 50

MAX PRESSURE

Mpa 36,5

OIL TANK CAPACITY

l 80

SLEWING SYSTEM

SLEWING ANGLE

400°

SLEWING MOMENT

kNm 12

MAX WORKING HEEL

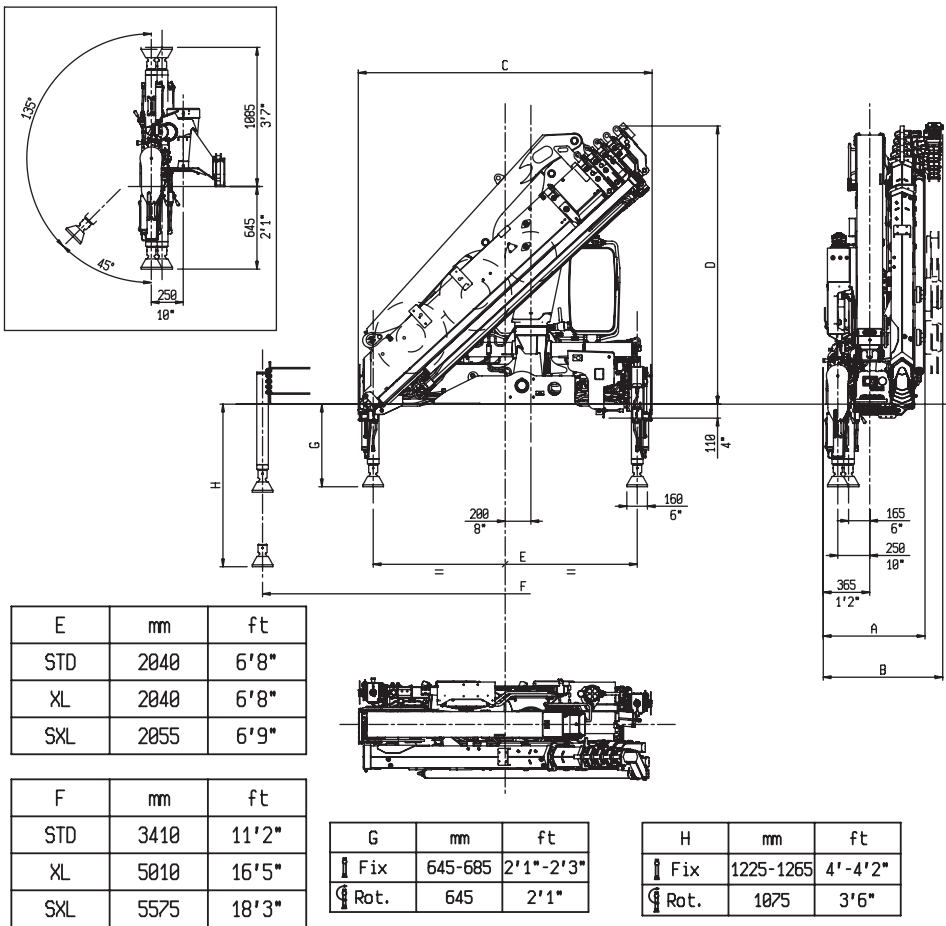
%(°) 8,7(5)

STANDARD CRANE WEIGHT

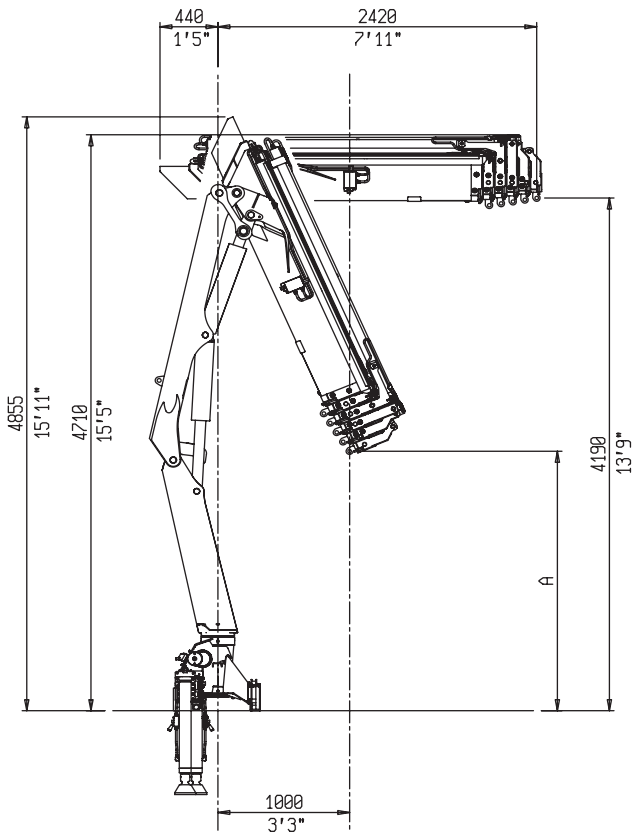
EMPTY OIL TANK

kg 1475

DIMENSIONS



WORKING POSITIONS



A	mm	ft
Vers.21	2510	8'3"
Vers.22	2410	7'11"
Vers.23	2315	7'7"
Vers.24	2215	7'3"
Vers.25	2120	6'11"

PM Oil&Steel SpA

IT - 41018 S. Cesario Sul Panaro MO

Via G. Verdi, 22

tel. +39 059 936811 • fax +39 059 936804

info@pm-group.eu • www.pm-group.eu

PM is a brand of Manitex International



truck mounted cranes

Technical data, descriptions and illustrations are merely indicative and not binding. PM Oil&Steel reserve the right to update them without notice.