

# PM 11 SP C

---



## PM Oil&Steel SpA

IT - 41018 S. Cesario Sul Panaro MO

Via G. Verdi, 22

tel. +39 059 936811 • fax +39 059 936804

info@pm-group.eu • www.pm-group.eu

*PM is a brand of Manitex International*



truck mounted cranes



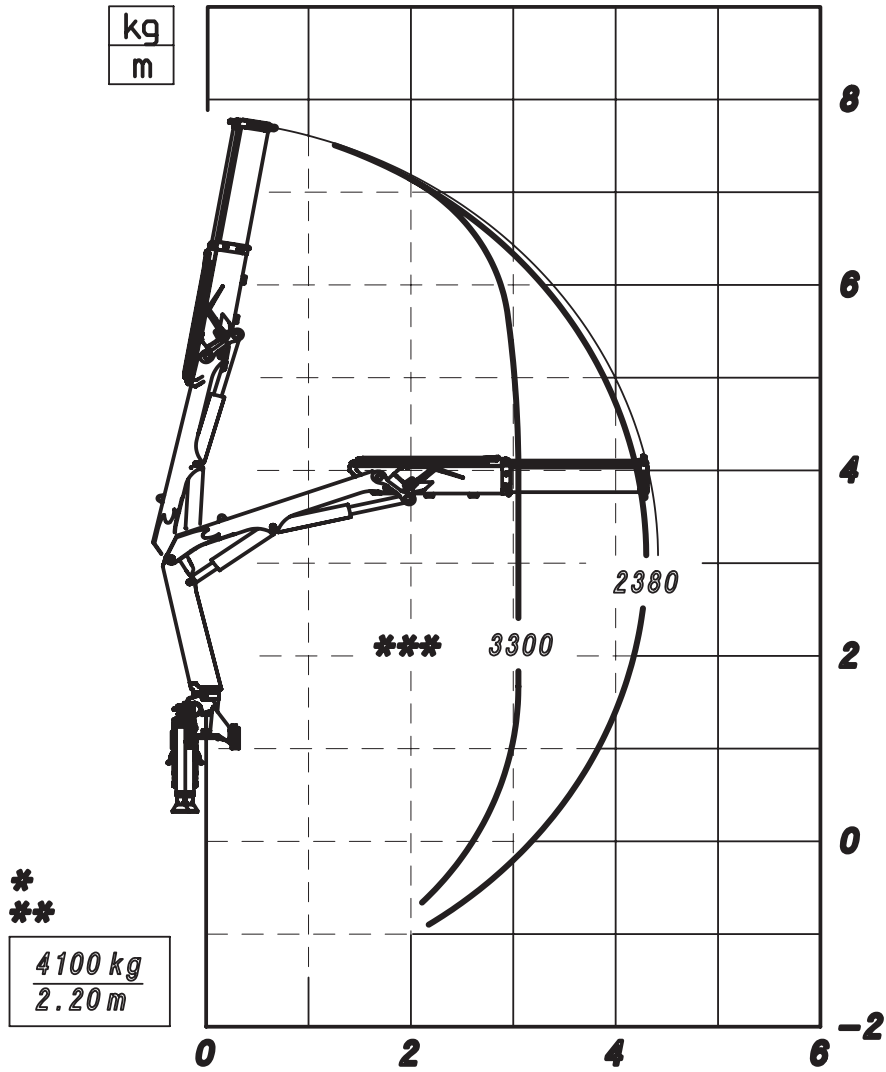
## **S** STANDARD EQUIPMENT

<b>Slewing by rack &amp; pinion</b>	<b>Regeneration system on extension</b>
<b>Digital load sensing valve block</b>	<b>Safety valves</b>
<b>Standard outriggers</b>	<b>High pressure filter</b>
<b>Fixed outriggers</b>	<b>Power tronic smart / adv +</b>
<b>Independent stabilizers valve block</b>	<b>Oil cooler with digital inverter &amp; bypass</b>
<b>Single power link on secondary boom</b>	<b>Remote control with b&amp;w display</b>

## **O** PTIONAL

<b>Color display on remote control</b>	<b>Tilting stabilizers 45° (manual) or 180° (hydraulic)</b>
<b>PM live work remote support</b>	<b>1.2 ton winch single /double pulley</b>
<b>MCS (remote control on stabilizers)</b>	<b>Extra functions with hose reels or hose racks</b>
<b>"C" boom version</b>	<b>Led worklamp</b>
<b>Fly jib j312/313</b>	<b>Integrated or loose oil tank (steel)</b>
<b>XL stabilizers 5010 mm XXL 5600 mm</b>	<b>Stability power system 3-4-5</b>

# PM 11021 SP C



## MAXIMUM LIFTING MOMENT

tm 10,2

## HYDRAULIC OUTREACH

HORIZONTAL

m 4,40

VERTICAL

m 7,50

## HYDRAULIC SYSTEM

MAX OIL FLOW

l/min 40 ÷ 50

MAX PRESSURE

Mpa 36,5

OIL TANK CAPACITY

l 80

## SLEWING SYSTEM

SLEWING ANGLE

400°

SLEWING MOMENT

kNm 12

MAX WORKING HEEL

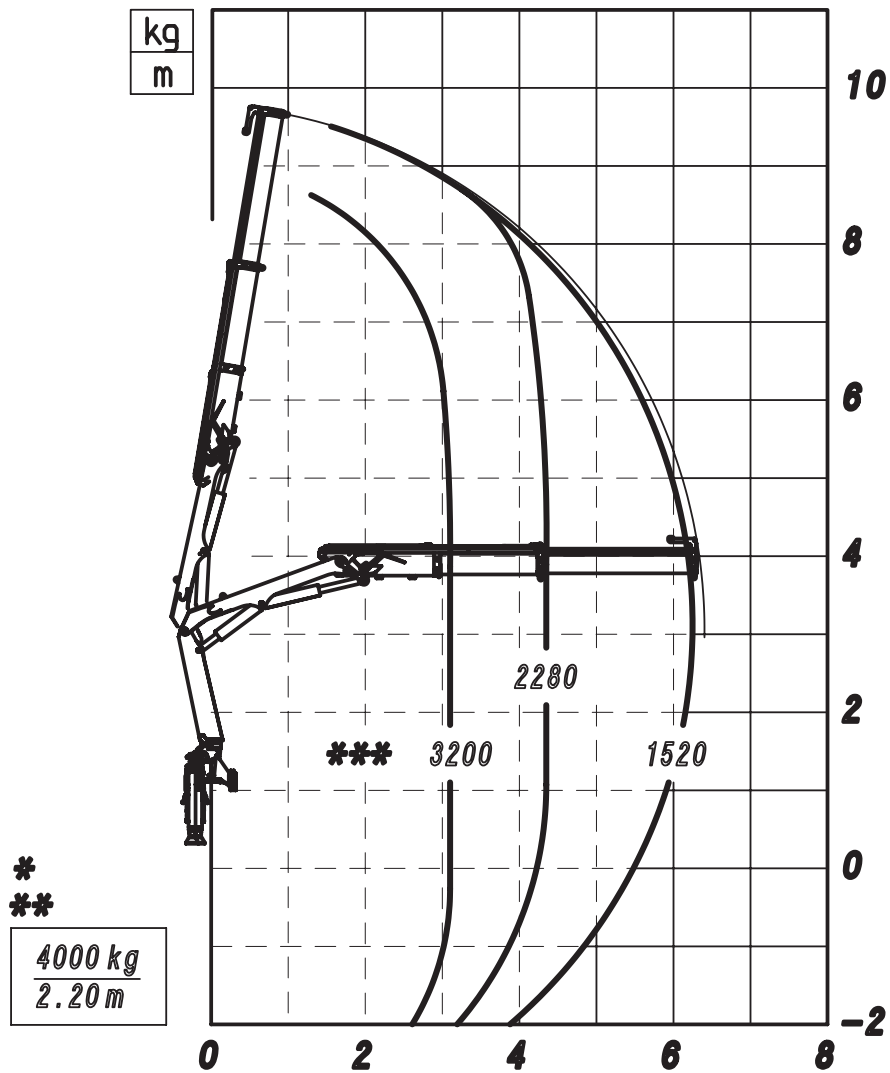
%(°) 8,7(5)

## STANDARD CRANE WEIGHT

EMPTY OIL TANK

kg 1035

## PM 11022 SP C



### MAXIMUM LIFTING MOMENT

tm 9,9

### HYDRAULIC OUTREACH

HORIZONTAL

m 6,40

VERTICAL

m 9,40

### HYDRAULIC SYSTEM

MAX OIL FLOW

l/min 40 ÷ 50

MAX PRESSURE

Mpa 36,5

OIL TANK CAPACITY

l 80

### SLEWING SYSTEM

SLEWING ANGLE

400°

SLEWING MOMENT

kNm 12

MAX WORKING HEEL

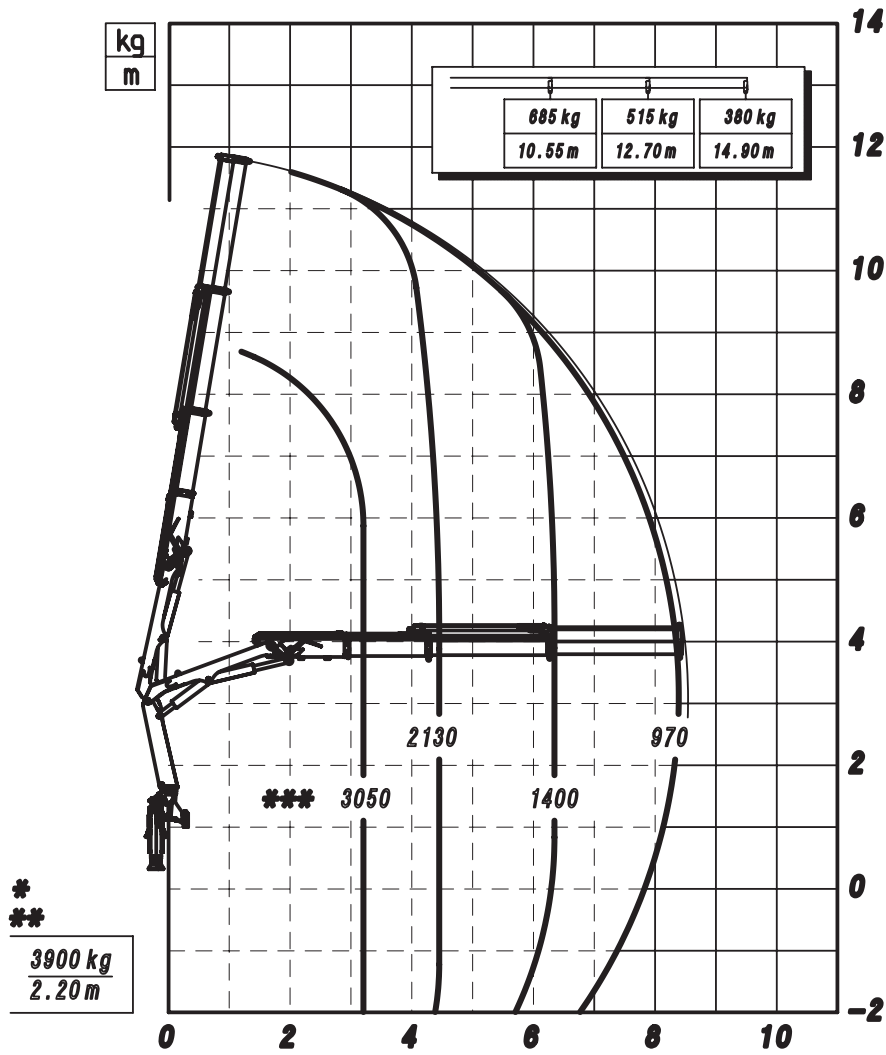
%(°) 8,7(5)

### STANDARD CRANE WEIGHT

EMPTY OIL TANK

kg 1155

# PM 11023 SP C



## MAXIMUM LIFTING MOMENT

tm 9,8

## HYDRAULIC OUTREACH

HORIZONTAL

m 8,50

VERTICAL

m 11,60

## HYDRAULIC SYSTEM

MAX OIL FLOW

l/min 40 ÷ 50

MAX PRESSURE

Mpa 36,5

OIL TANK CAPACITY

l 80

## SLEWING SYSTEM

SLEWING ANGLE

400°

SLEWING MOMENT

kNm 12

MAX WORKING HEEL

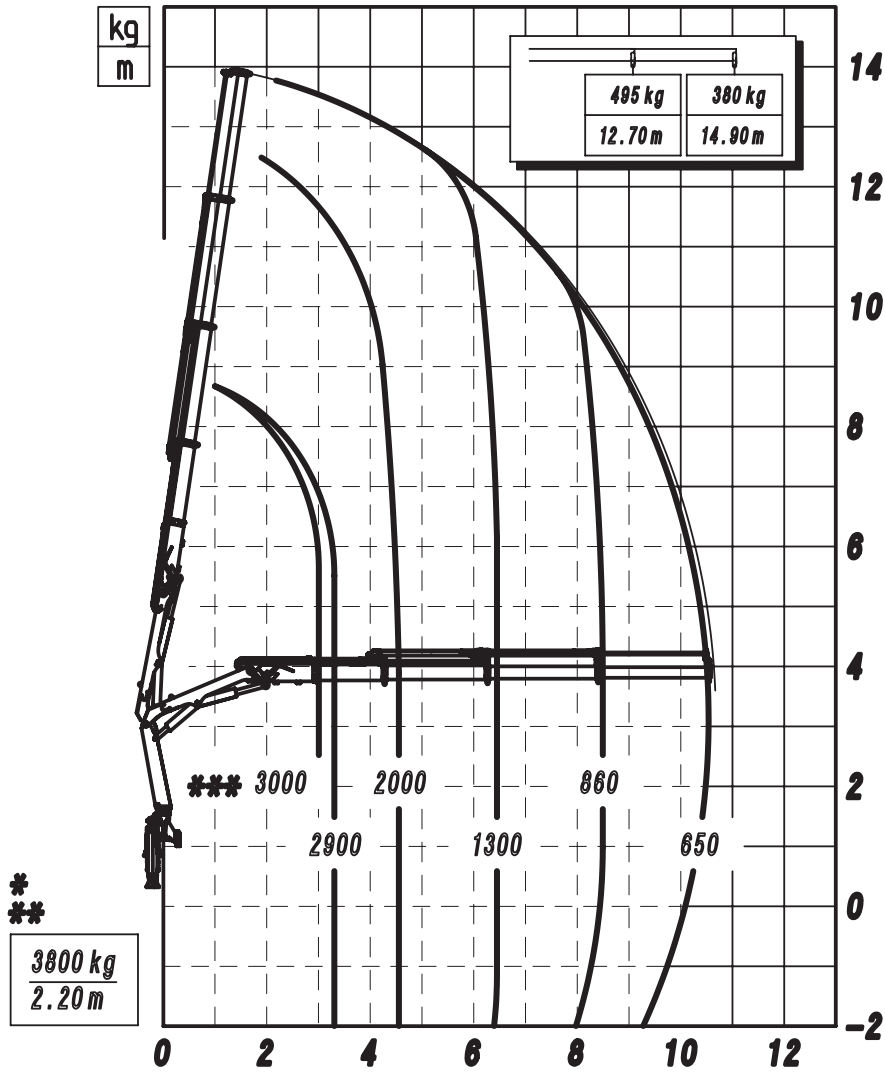
%(°) 8,7(5)

## STANDARD CRANE WEIGHT

EMPTY OIL TANK

kg 1265

# PM 11024 SP C



## MAXIMUM LIFTING MOMENT

tm 9,6

## HYDRAULIC OUTREACH

HORIZONTAL

m 10,65

VERTICAL

m 13,70

## HYDRAULIC SYSTEM

MAX OIL FLOW

l/min 40 ÷ 50

MAX PRESSURE

Mpa 36,5

OIL TANK CAPACITY

l 80

## SLEWING SYSTEM

SLEWING ANGLE

400°

SLEWING MOMENT

kNm 12

MAX WORKING HEEL

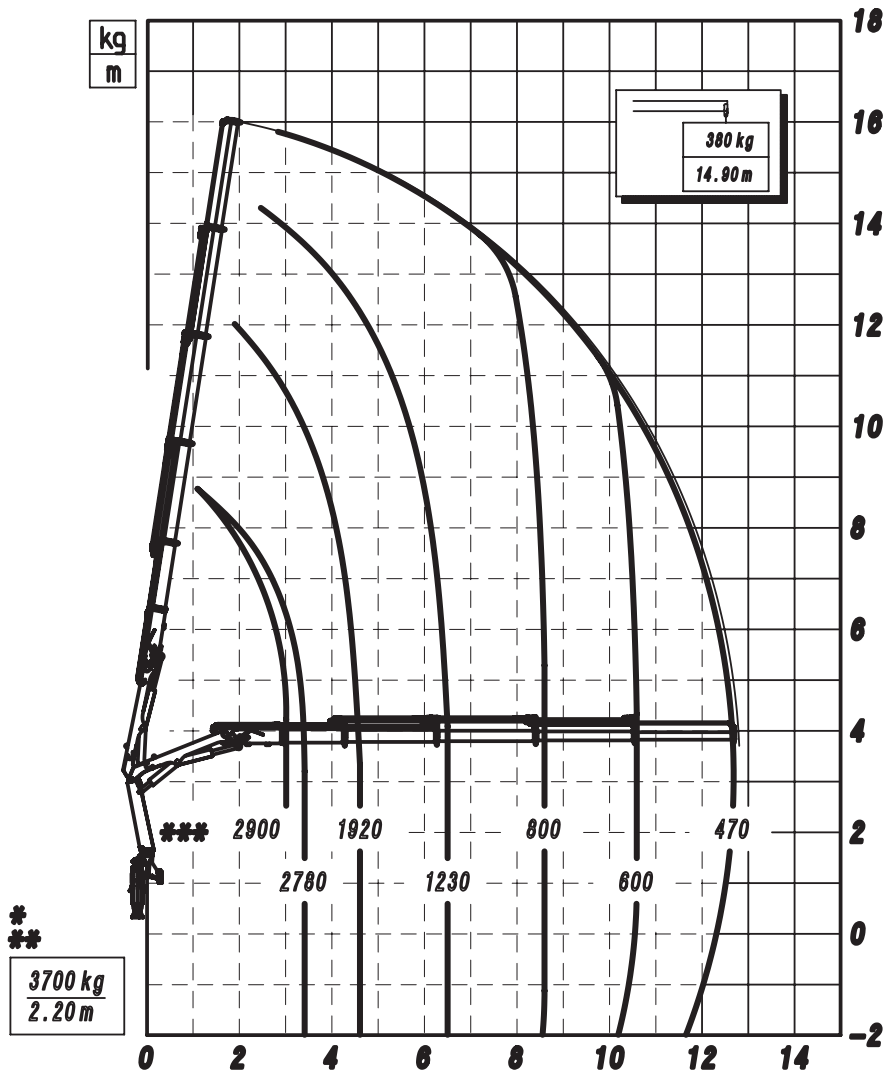
%(°) 8,7(5)

## STANDARD CRANE WEIGHT

EMPTY OIL TANK

kg 1365

## PM 11025 SP C



### MAXIMUM LIFTING MOMENT

tm 9,5

### HYDRAULIC OUTREACH

HORIZONTAL

m 12,80

VERTICAL

m 15,80

### HYDRAULIC SYSTEM

MAX OIL FLOW

l/min 40 ÷ 50

MAX PRESSURE

Mpa 36,5

OIL TANK CAPACITY

l 80

### SLEWING SYSTEM

SLEWING ANGLE

400°

SLEWING MOMENT

kNm 12

MAX WORKING HEEL

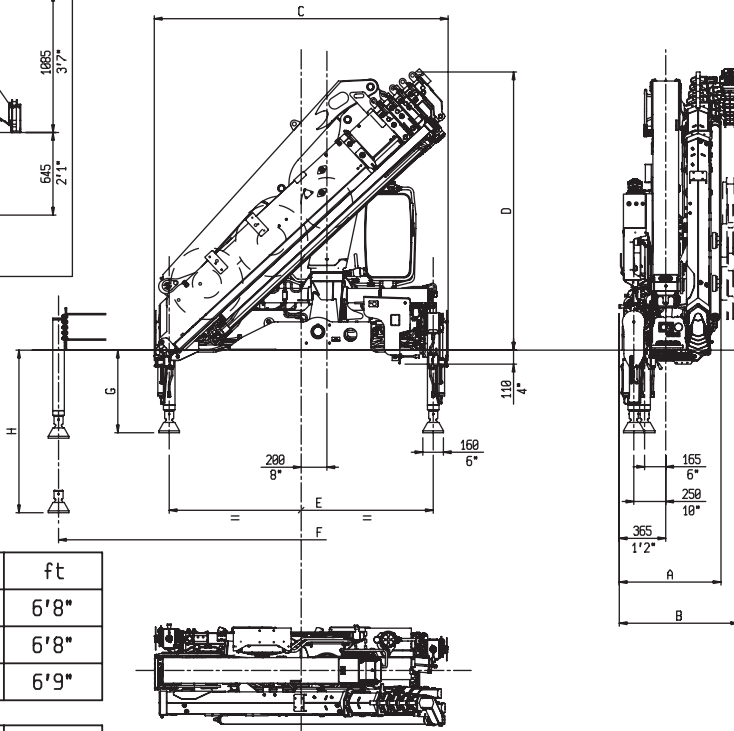
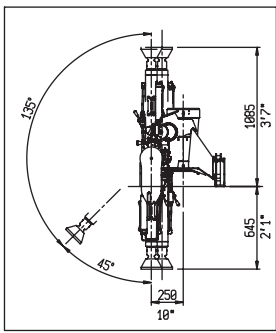
%(°) 8,7(5)

### STANDARD CRANE WEIGHT

EMPTY OIL TANK

kg 1445

## DIMENSIONS



A	10S-11SP		10SC-11SPC	
	mm	ft	mm	ft
Vers.21	730	2'5"	730	2'5"
Vers.22	730	2'5"	730	2'5"
Vers.23	730	2'5"	730	2'5"
Vers.24	780	2'7"	780	2'7"
Vers.25	790	2'7"	790	2'7"

B				
	mm	ft	mm	ft
Vers.21	930	3'1"	---	---
Vers.22	930	3'1"	905	3'
Vers.23	930	3'1"	905	3'
Vers.24	930	3'1"	905	3'
Vers.25	930	3'1"	---	---

C	mm	ft
Fix.	2265	7'5"
Rot.	2290	7'6"

D	mm	ft
Vers.21	2110	6'11"
Vers.22	2110	6'11"
Vers.23	2110	6'11"
Vers.24	2115	6'11"
Vers.25	2170	7'1"
25+	2190	7'2"
24+	2115	6'11"

E	mm	ft
STD	2040	6'8"
XL	2040	6'8"
SXL	2055	6'9"

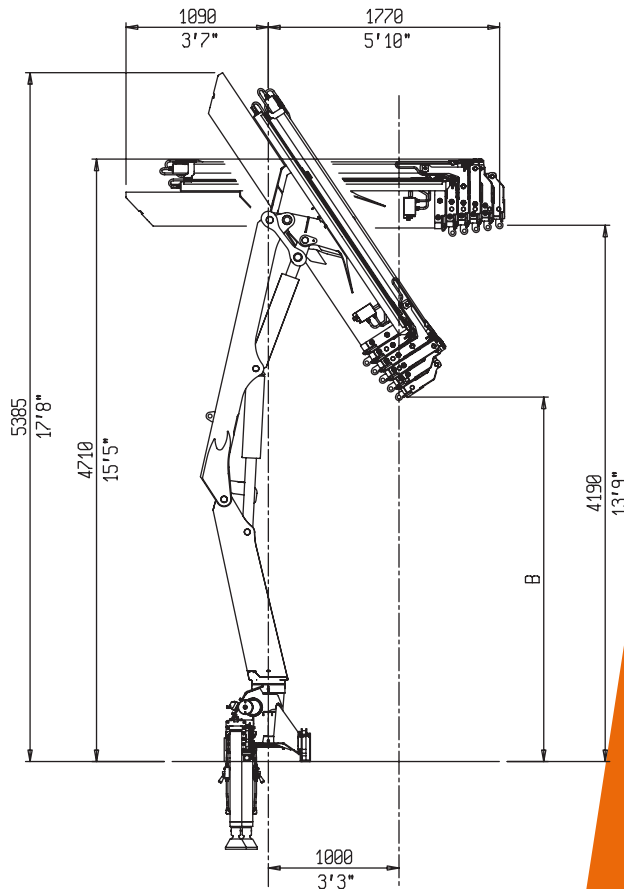
F	mm	ft
STD	3410	11'2"
XL	5010	16'5"
SXL	5575	18'3"

G	mm	ft
Fix.	645-685	2'1"-2'3"
Rot.	645	2'1"

H	mm	ft
Fix.	1225-1265	4'-4'2"
Rot.	1075	3'6"

## WORKING POSITIONS

B	mm	ft
Vers.21	3290	10'10"
Vers.22	3170	10'5"
Vers.23	3060	10'
Vers.24	2950	9'8"
Vers.25	2845	9'4"



### PM Oil&Steel SpA

IT - 41018 S. Cesario Sul Panaro MO  
Via G. Verdi, 22

tel. +39 059 936811 • fax +39 059 936804  
info@pm-group.eu • www.pm-group.eu

PM is a brand of Manitex International



truck mounted cranes

Technical data, descriptions and illustrations are merely indicative and not binding. PM Oil&Steel reserve the right to update them without notice.