



Special Series

 **POWERLIFT**



The future, now.

# PM POWER LIFT

Innovative design and technological innovations make the PM Power Lift a crane that guarantees **efficiency, operating speed** and **safety**.

**TWO AVAILABLE VERSIONS:**  
Hydraulic and Electronic

**New base with centered column.**

**Improved lifting radius with the Power Link System.**

**Secondary boom cylinder located on the back of the boom pack and protected from damages during travelling and loading.**

## **New hydraulic system.**

- Horizontal Swivel PARKER located on the crane base
- Proportional Compensated DANFOSS Valve Bank
- Double hydraulic circuit with double Inlet filter (Top Seat)
- Maximum performance without regenerative valves
- Re-Designed Hydraulic circuit that minimize the loss of power
- VRBC Valves: Improved maneuverability and precision

**Simplyfied stabilizer control station**, thanks to double valve bank, pre-arranged for supplementary stabilizers, and horizontal stabilizer lever.

**Two Control station.**

### • **TOP SEAT**

- Joystick and pedals
- Split Danfoss Valve Bank
- Radio Remote

### • **GROUND CONTROL**

- Danfoss Valve Bank
- Radio Remote



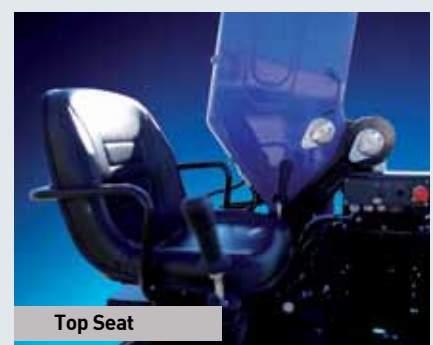
Power Link



VRBC Valves



Simplified Stabilizer Control Station



Top Seat



**3 Stabilizers spread:**

- STANDARD 17'11"
- EXTRA LARGE 21'6"
- SUPER EXTRA LARGE 24'3"

All available only with fixed cylinder



**Two option of Multifunction Radio Remote Control:**

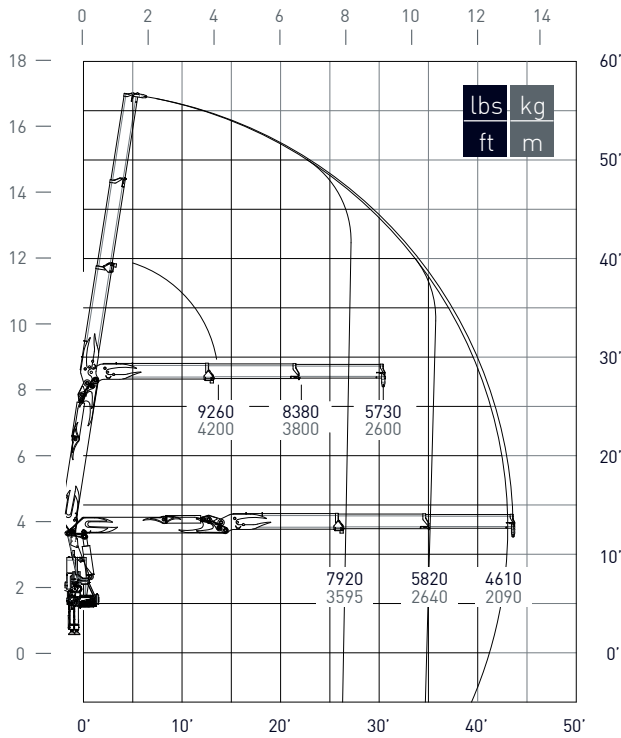
- Hydraulic without display on Radio Transmitter
- Electronic with display on Radio Transmitter



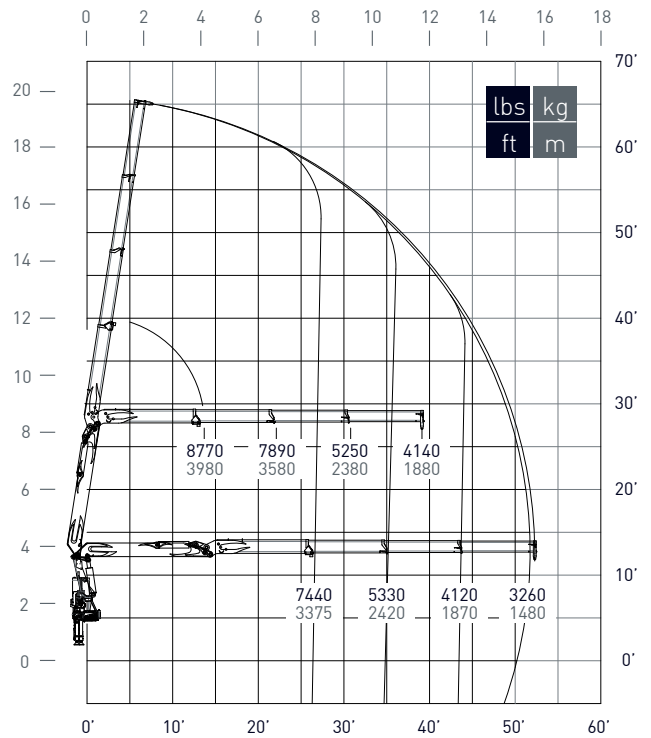
# Configurations.

## Hydraulic version

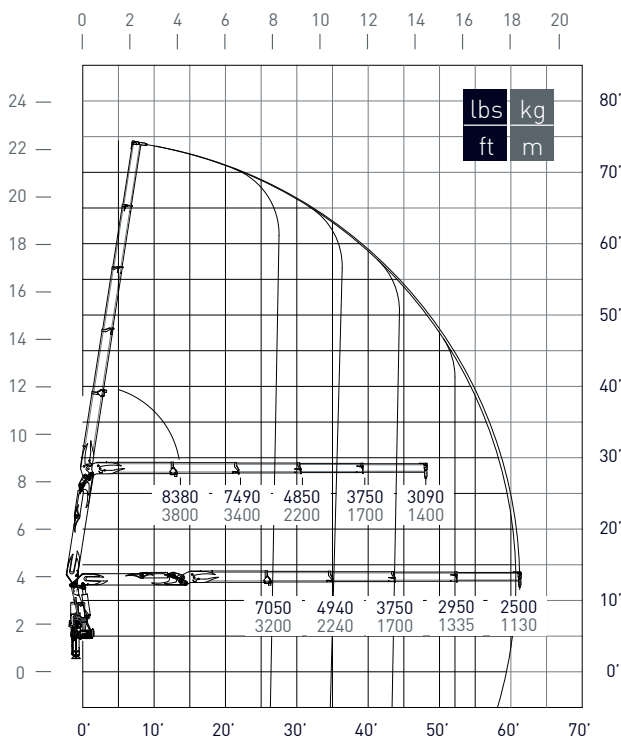
PL 56' S



PL 65' S

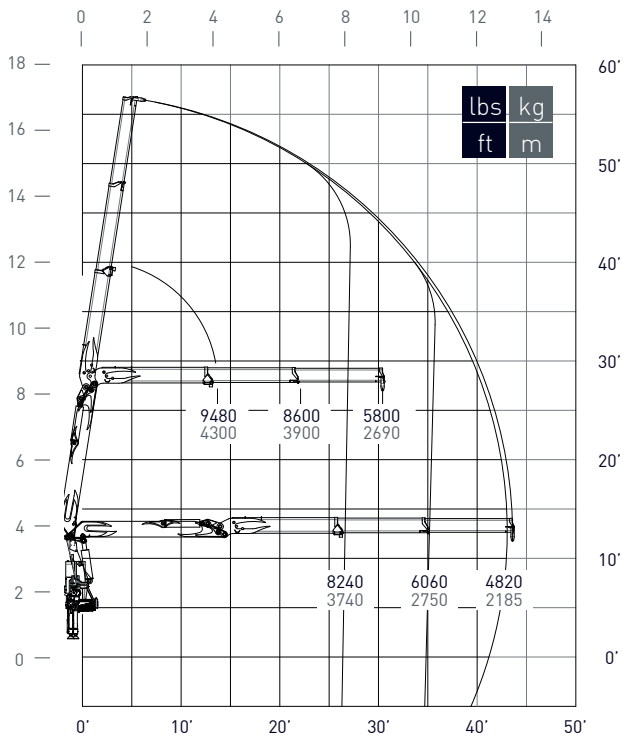


PL 74' S

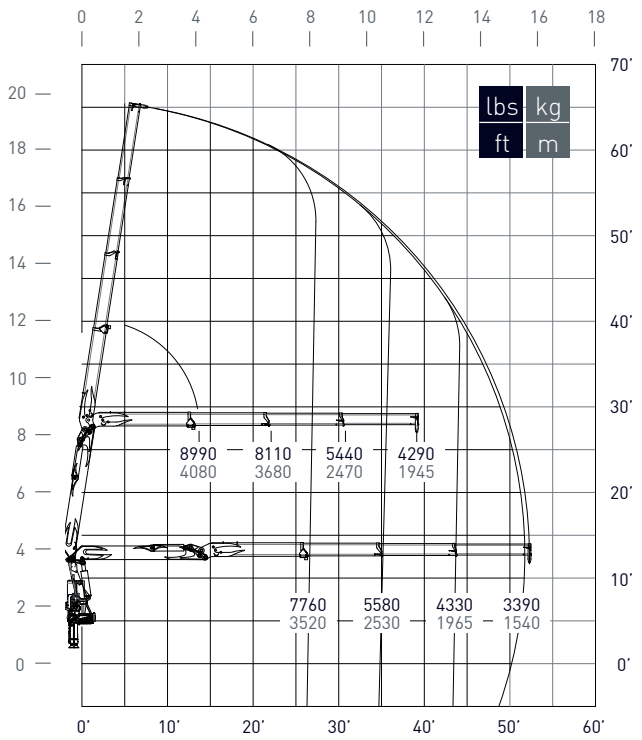


Electronic version

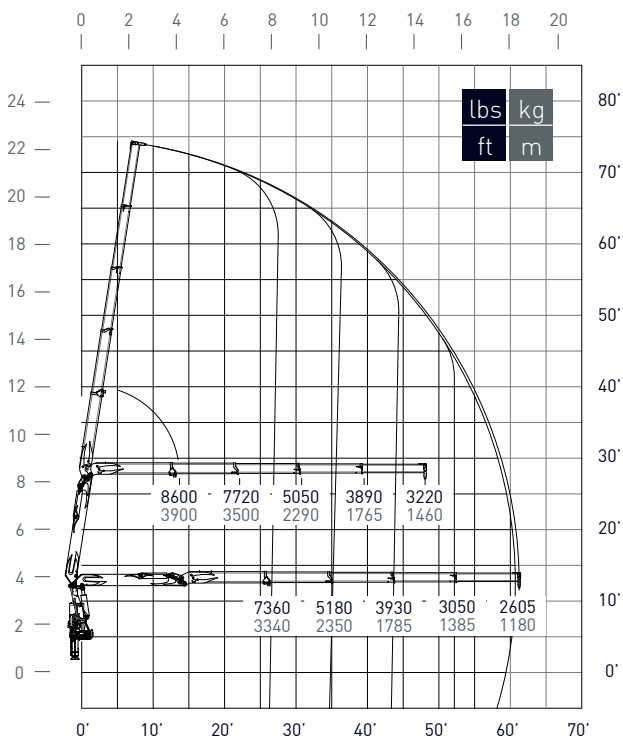
PL 56' SP



PL 65' SP

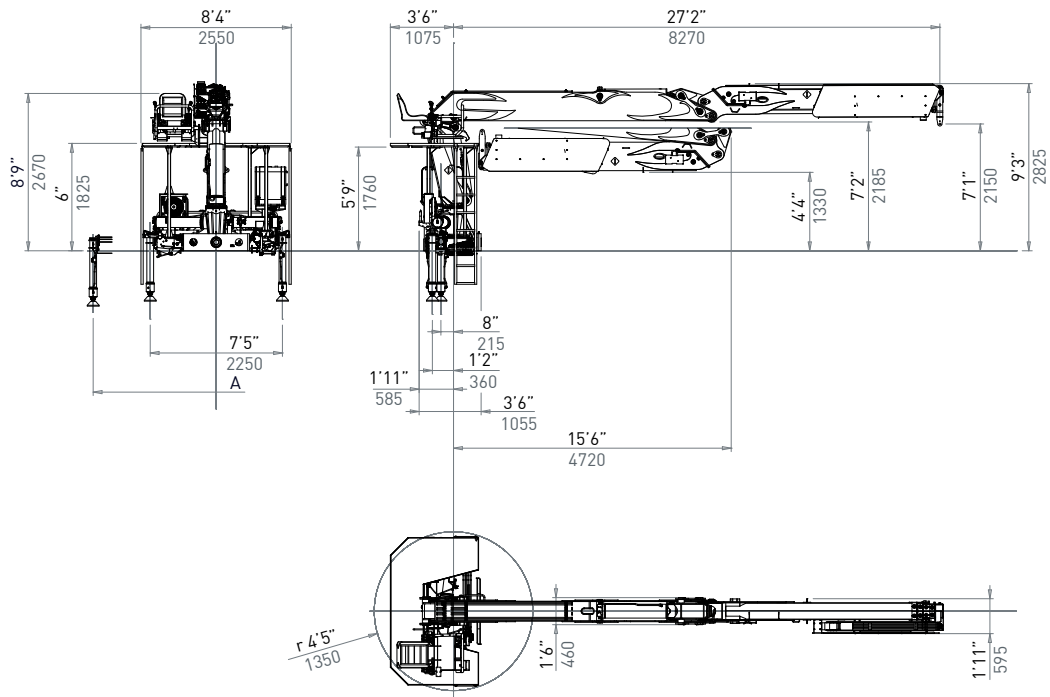


PL 74' SP



# Dimensions.

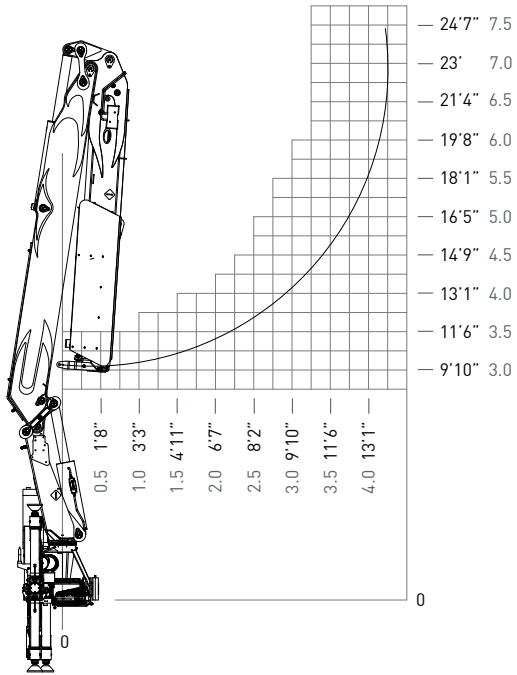
## Power Lift



		STD	XL
A	ft	17'11"	21'6"

		STD	XL
A	mm	5465	6545

## Working positions



## Dimensions.

		PL 56' S	PL 65' S	PL 74' S	PL 56' SP	PL 65' SP	PL 74' SP
<b>Maximum lifting moment</b>	ft lbs	208020	195290	187480	216410	203680	195680
	tm	28,8	27	25,9	29,9	28,2	27,1
<b>Hydraulic outreach</b>							
<b>Horizontal</b>	ft	43' 10"	52' 4"	61' 2"	43' 10"	52' 4"	61' 2"
	m	13,35	15,95	18,65	13,35	15,95	18,65
<b>Vertical</b>	ft	56' 3"	65'	73' 8"	56' 3"	65'	73' 8"
	m	17,15	19,80	22,45	17,15	19,80	22,45
<b>Hydraulic system</b>							
<b>Max. oil flow</b>	gals/min	16+16	16+16	16+16	16+16	16+16	16+16
	l/min	60+60	60+60	60+60	60+60	60+60	60+60
<b>Max. pressure</b>	Psi	4420	4420	4420	4710	4710	4710
	MPa	30,5	30,5	30,5	32,5	32,5	32,5
<b>Oil tank capacity</b>	gals	53	53	53	53	53	53
	l	200	200	200	200	200	200
<b>Slewing system</b>							
<b>Slewing angle</b>	°	410	410	410	410	410	410
<b>Slewing moment</b>	ft lbs	32450	32450	32450	32450	32450	32450
	kN m	44	44	44	44	44	44
<b>Max. working heel</b>	%(°)	8.7 (5)	8.7 (5)	8.7 (5)	8.7 (5)	8.7 (5)	8.7 (5)
<b>Standard crane weight</b>							
<b>Without oil tank</b>	lbs	8710	9240	9770	8710	9240	9770
	kg	3950	4190	4430	3950	4190	4430



# POWER LIFT





[www.pm-group.eu](http://www.pm-group.eu)

POWERLIFT 745

# PM Service. Always where you are.

## PM Customer Service.

Ensuring total customer satisfaction is the philosophy behind PM Customer Service.

PM supports his customers being always available and ready to listen to their particular needs. Rapidly getting to the heart of the problem is the spirit in which PM's specialized staff responds to his customer requests. PM's experts after sales service engineers are always there to handle any service job. With the experience and competence of people who have been working with PM cranes for several years, they provide the right answer or alert the nearest PM Service Centre.

## PM After-Sales Service Network.

With 300 after-sales service centres, PM provides its customers with a comprehensive service in Italy and worldwide. Trusting the PM After-Sales Service Network means that original PM spare parts are always used to guarantee maximum crane performance. Specialised technical PM trainers visit the PM after-sales centres regularly in order to provide them with the support they need to ensure maximum customer satisfaction at all times.



## PM Original Spare Parts.

PM takes the same care in the production of spare parts as it takes over the design and manufacturing of the cranes. Only in this way PM ensure that the crane keeps its reliability and superior quality. PM original spare parts are produced with the highest quality standards and are designed to meet exactly PM crane specifications and safety features. PM cranes are famous for their high safety standards. In order to maintain this level, PM's designers recommend only original PM spare parts for repairs and maintenance. PM original spare parts are the only ones ensuring your crane with the same performance as the initial one.



EN



PM Group SpA - IT - 41018 S. Cesario Sul Panaro MO - Via G. Verdi 22 - tel. +39 059 936811 - fax +39 059 936804  
info@pm-group.eu - www.pm-group.eu